

Part number:

48201-1101

Copyright

© 2014, FLIR Systems, Inc.

All rights reserved worldwide. Names and marks appearing herein are either registered trademarks or trademarks of FLIR Systems and/or its subsidiaries. All other trademarks, trade names or company names referenced herein are used for identification only and are the property of their respective owners.

January 08, 2014, 02:41 PM

Corporate Headquarters

FLIR Systems, Inc.
27700 SW Parkway Ave.
Wilsonville, OR 97070
USA
Telephone: +1-503-498-3547

Website

<http://www.flir.com>

Customer support

<http://support.flir.com>

Legal disclaimer

Specifications subject to change without further notice. Camera models and accessories subject to regional market considerations. License procedures may apply.

Information and equipment described herein may require US Government authorization for export purposes. Diversion contrary to US law is prohibited.



Imaging and optical data

IR resolution	320 × 240 pixels
Thermal sensitivity/NETD	< 0.05°C @ +30°C (+86°F) / 50 mK
Field of view (FOV) / Minimum focus distance	25° × 18.8° / 0.4 m (1.31 ft.)
Focal length	18 mm (0.7 in.)
Spatial resolution (IFOV)	1.36 mrad
Lens identification	Automatic
F-number	1.3
Image frequency	30 Hz
Focus	Automatic or manual (built in motor)
Zoom	1–8× continuous, digital, interpolating zooming on images

Detector data

Focal Plane Array (FPA) / Spectral range	Uncooled microbolometer / 7.5–13 μm
Detector pitch	25 μm
Detector time constant	Typical 12 ms

Measurement

Object temperature range	–20 to +120°C (–4 to +248°F) 0 to +350°C (+32 to +662°F)
Accuracy	±2°C (±3.6°F) or ±2% of reading

Measurement analysis

Spotmeter	10
Area	10 boxes with max./min./average/position
Isotherm	1 with above/below/interval
Measurement option	Measurement Mask Filter Schedule response: File sending (ftp), email (SMTP)
Difference temperature	Delta temperature between measurement functions or reference temperature
Reference temperature	Manually set or captured from any measurement function
Atmospheric transmission correction	Automatic, based on inputs for distance, atmospheric temperature and relative humidity
Optics transmission correction	Automatic, based on signals from internal sensors
Emissivity correction	Variable from 0.01 to 1.0
Reflected apparent temperature correction	Automatic, based on input of reflected temperature
External optics/windows correction	Automatic, based on input of optics/window transmission and temperature
Measurement corrections	Global and individual object parameters

Alarm

Alarm functions	6 automatic alarms on any selected measurement function, Digital In, Camera temperature, timer
-----------------	--

P/N: 48201-1101

© 2014, FLIR Systems, Inc.
All rights reserved worldwide.

Alarm	
Alarm output	Digital Out, log, store image, file sending (ftp), email (SMTP), notification
Set-up	
Color palettes	Color palettes (BW, BW inv, Iron, Rain)
Set-up commands	Date/time, Temperature°C/°F
Storage of images	
Storage media	Built-in memory for image storage
File formats	Standard JPEG, 16-bit measurement data included
Ethernet	
Ethernet	Control, result and image
Ethernet, type	100 Mbps
Ethernet, standard	IEEE 802.3
Ethernet, connector type	RJ-45
Ethernet, communication	TCP/IP socket-based FLIR proprietary
Ethernet, video streaming	MPEG-4, ISO/IEC 14496-1 MPEG-4 ASP@L5
Ethernet, image streaming	16-bit 320 x 240 pixels @ 7-8 Hz - Radiometric
Ethernet, power	Power over Ethernet, PoE IEEE 802.3af class 0
Ethernet, protocols	Ethernet/IP, Modbus TCP, TCP, UDP, SNMP, RTSP, RTP, HTTP, ICMP, IGMP, ftp, SMTP, SMB (CIFS), DHCP, MDNS (Bonjour), uPnP
Digital input/output	
Digital input, purpose	Image tag (start/stop/general), Input ext. device (programmatically read)
Digital input	2 opto-isolated, 10–30 VDC
Digital output, purpose	As function of ALARM, Output to ext. device (programmatically set)
Digital output	2 opto-isolated, 10–30 VDC, max 100 mA
Digital I/O, isolation voltage	500 VRMS
Digital I/O, supply voltage	12/24 VDC, max 200 mA
Digital I/O, connector type	6-pole jackable screw terminal
Composite video	
Video out	Composite video output, PAL and NTSC compatible
Video, standard	CVBS (ITU-R-BT.470 PAL/SMPTE 170M NTSC)
Power system	
External power operation	12/24 VDC, 24 W absolute max
External power, connector type	2-pole jackable screw terminal
Voltage	Allowed range 10–30 VDC
Environmental data	
Operating temperature range	–15°C to +50°C (+5°F to +122°F)
Storage temperature range	–40°C to +70°C (–40°F to +158°F)
Humidity (operating and storage)	IEC 60068-2-30/24 h 95% relative humidity +25°C to +40°C (+77°F to +104°F)
EMC	<ul style="list-style-type: none"> EN 61000-6-2:2001 (Immunity) EN 61000-6-3:2001 (Emission) FCC 47 CFR Part 15 Class B (Emission)
Encapsulation	IP 40 (IEC 60529)
Bump	25 g (IEC 60068-2-29)
Vibration	2 g (IEC 60068-2-6)



FLIR A310

P/N: 48201-1101

© 2014, FLIR Systems, Inc.
All rights reserved worldwide.

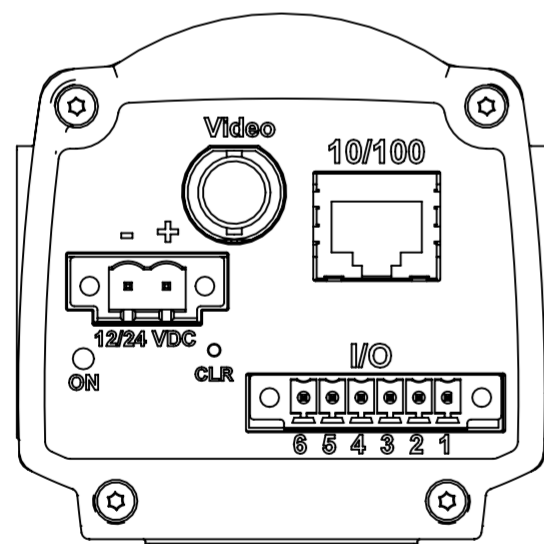
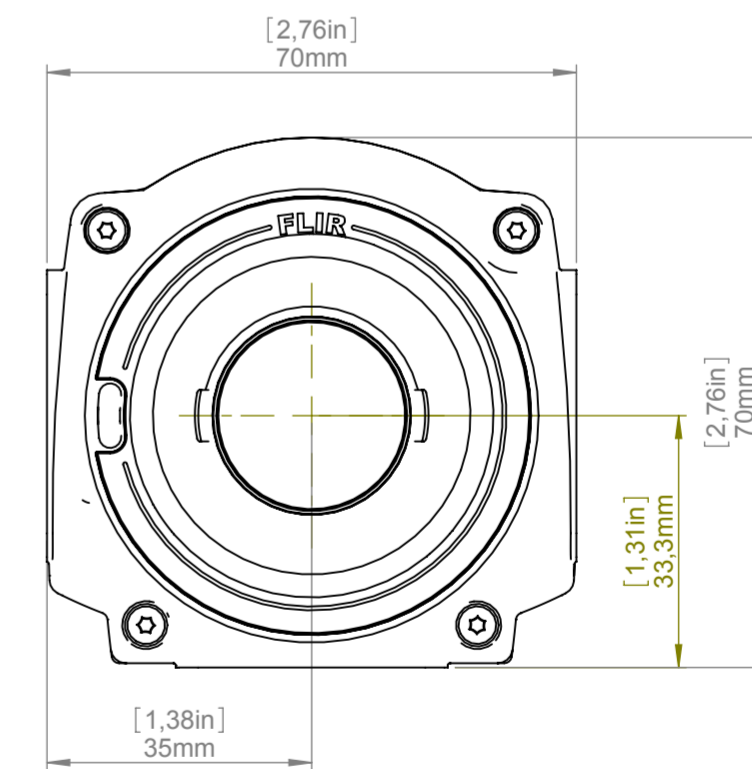
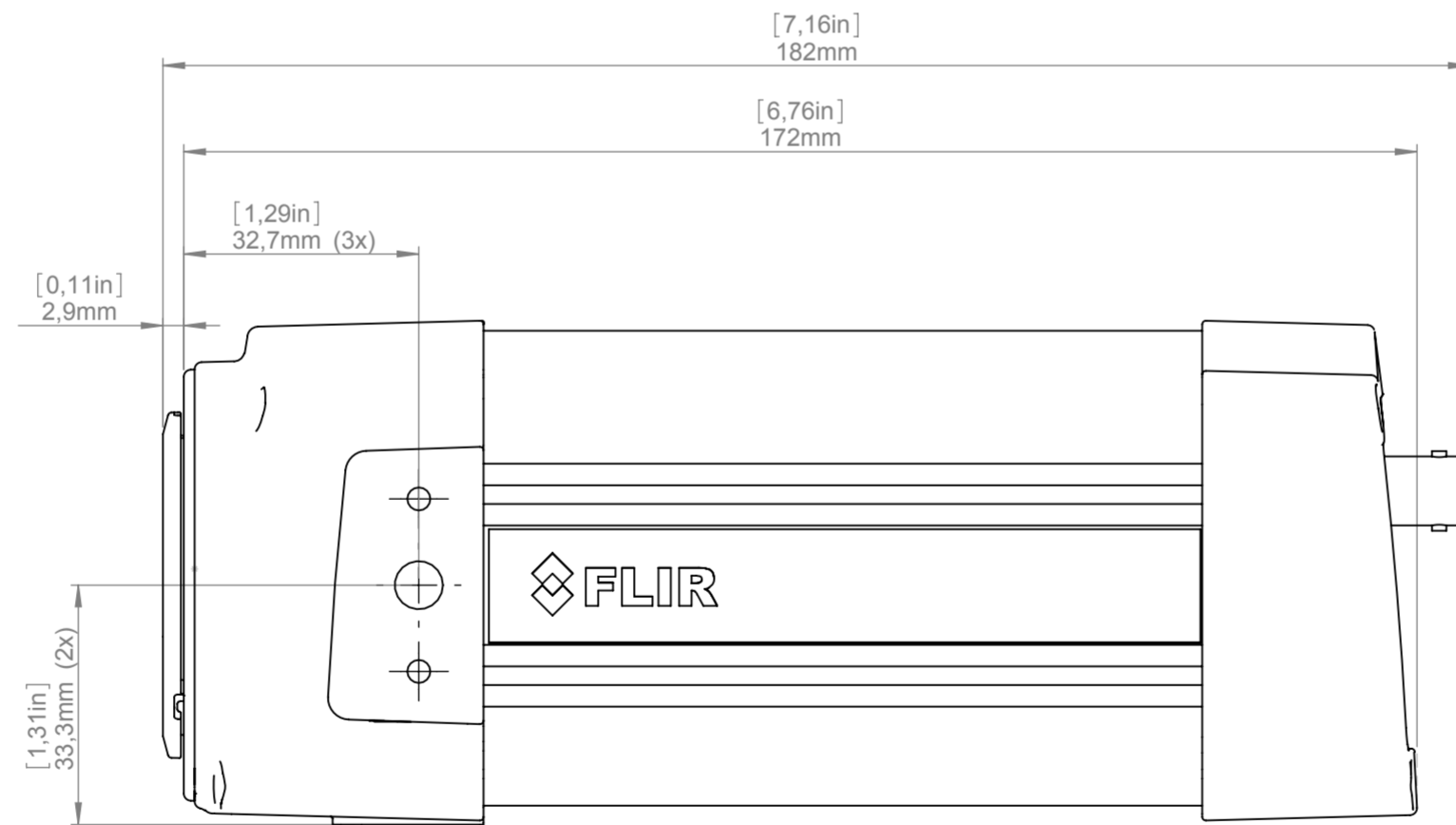
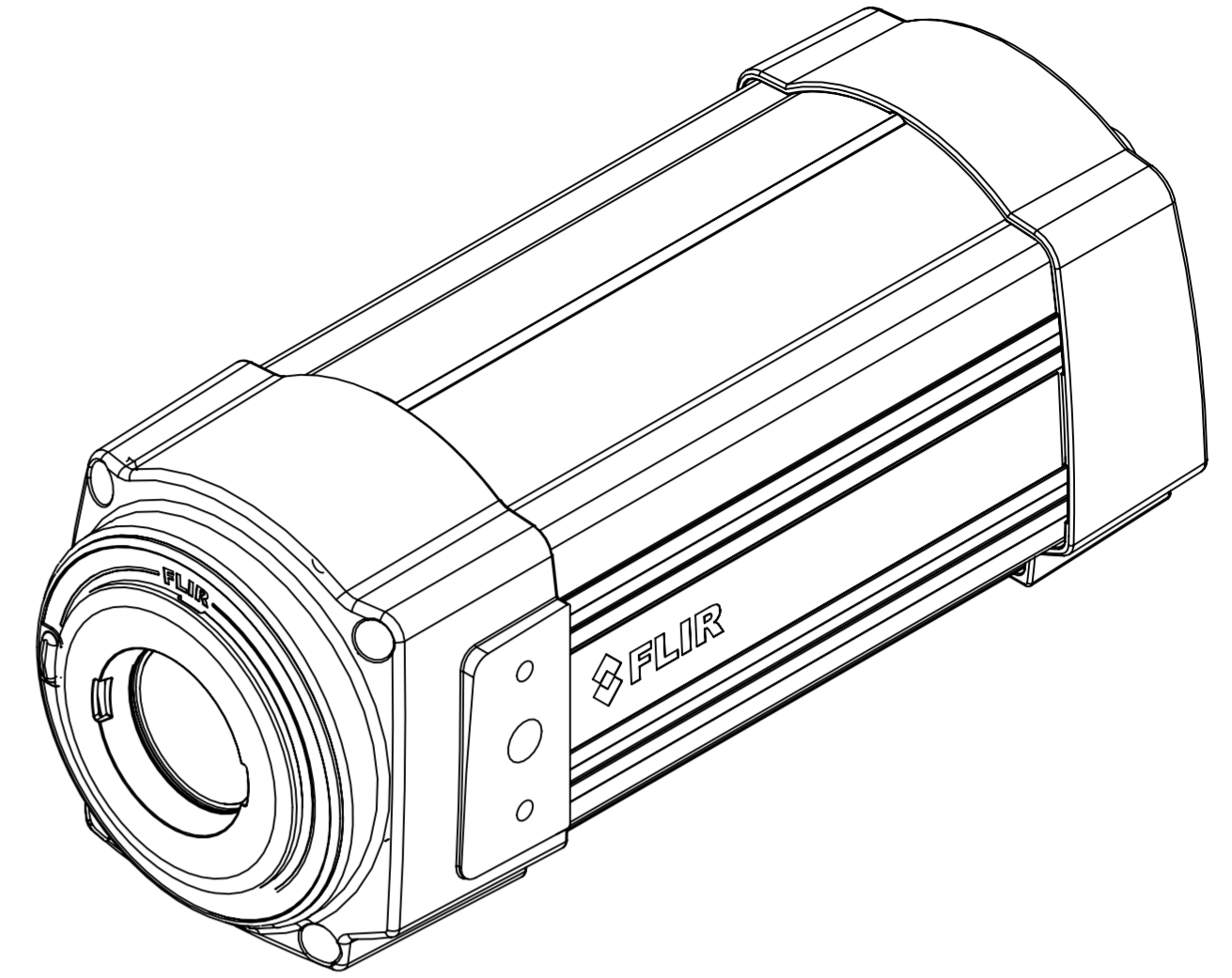
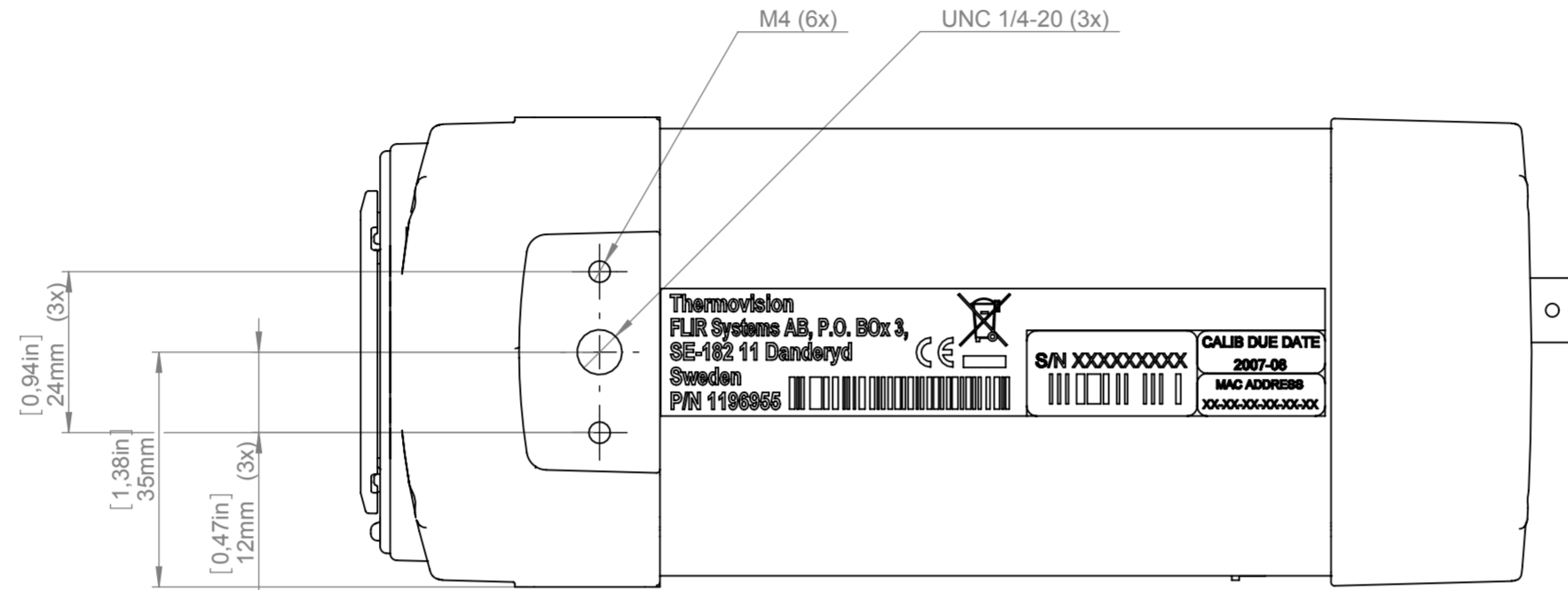
Physical data

Weight	0.7 kg (1.54 lb.)
Camera size (L x W x H)	170 x 70 x 70 mm (6.7 x 2.8 x 2.8 in.)
Tripod mounting	UNC 1/4"-20 (on three sides)
Base mounting	2 x M4 thread mounting holes (on three sides)
Housing material	Aluminum

Shipping information

- Infrared camera with lens
- Calibration certificate
- Cardboard box
- Downloads brochure
- Ethernet™ cable
- FLIR apps card
- FLIR Tools download card
- Getting Started Guide
- Important Information Guide
- Mains cable
- Optics brochure
- Power cable, pig-tailed
- Power supply
- Service & training brochure
- Thank you card
- User documentation CD-ROM
- Utility CD-ROM
- Registration card

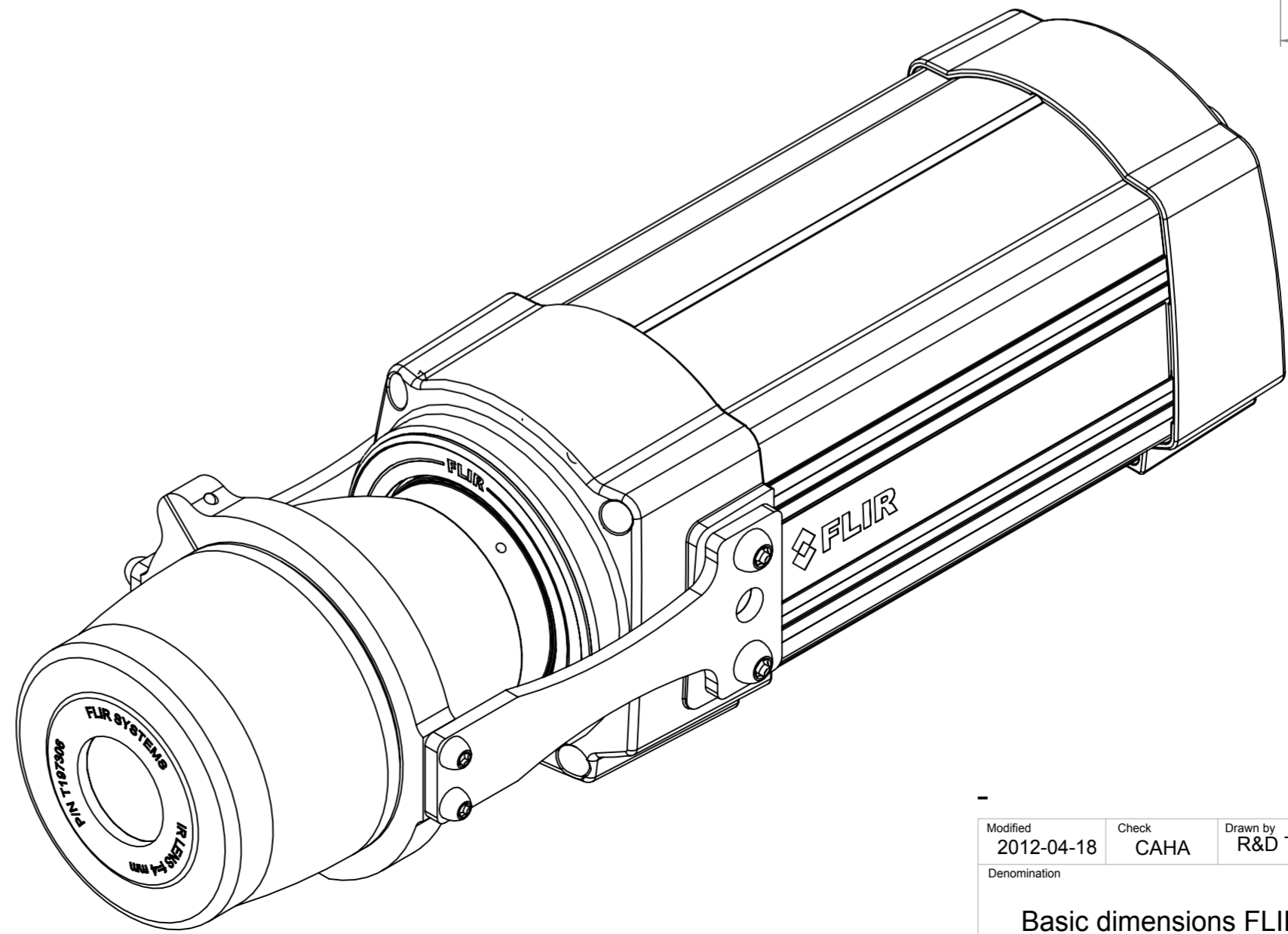
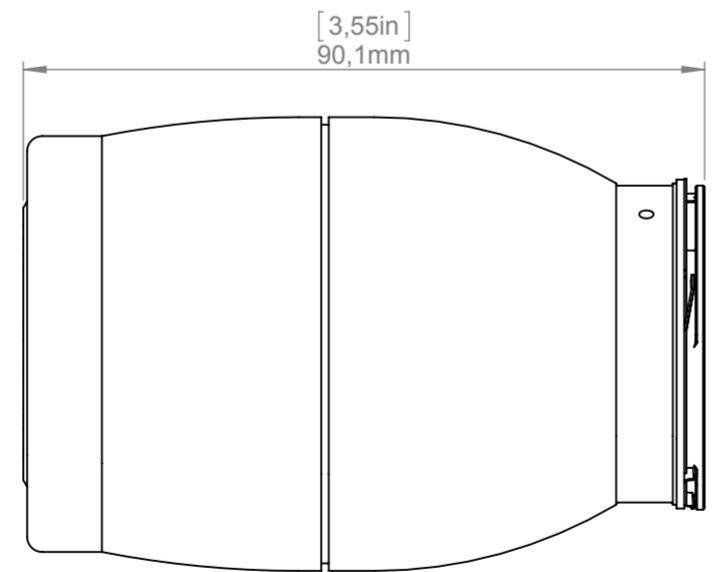
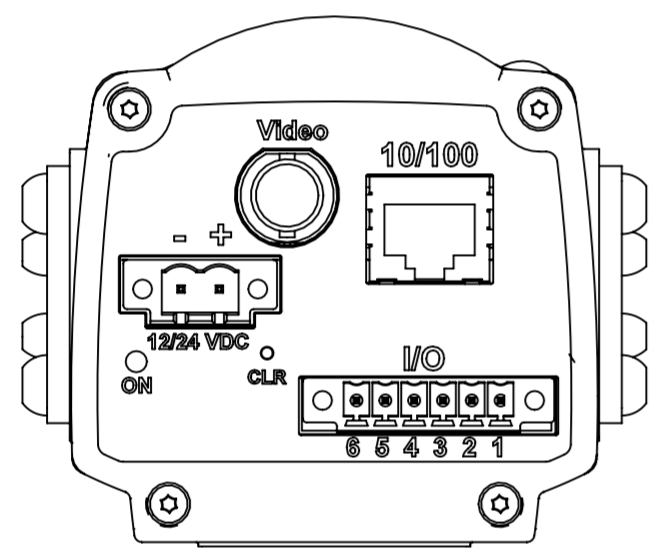
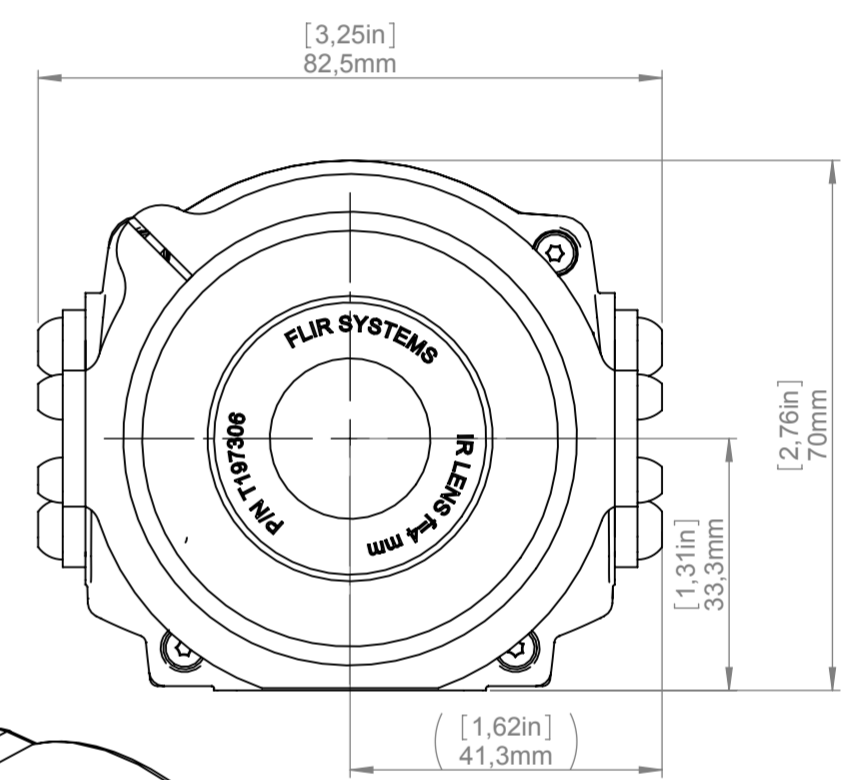
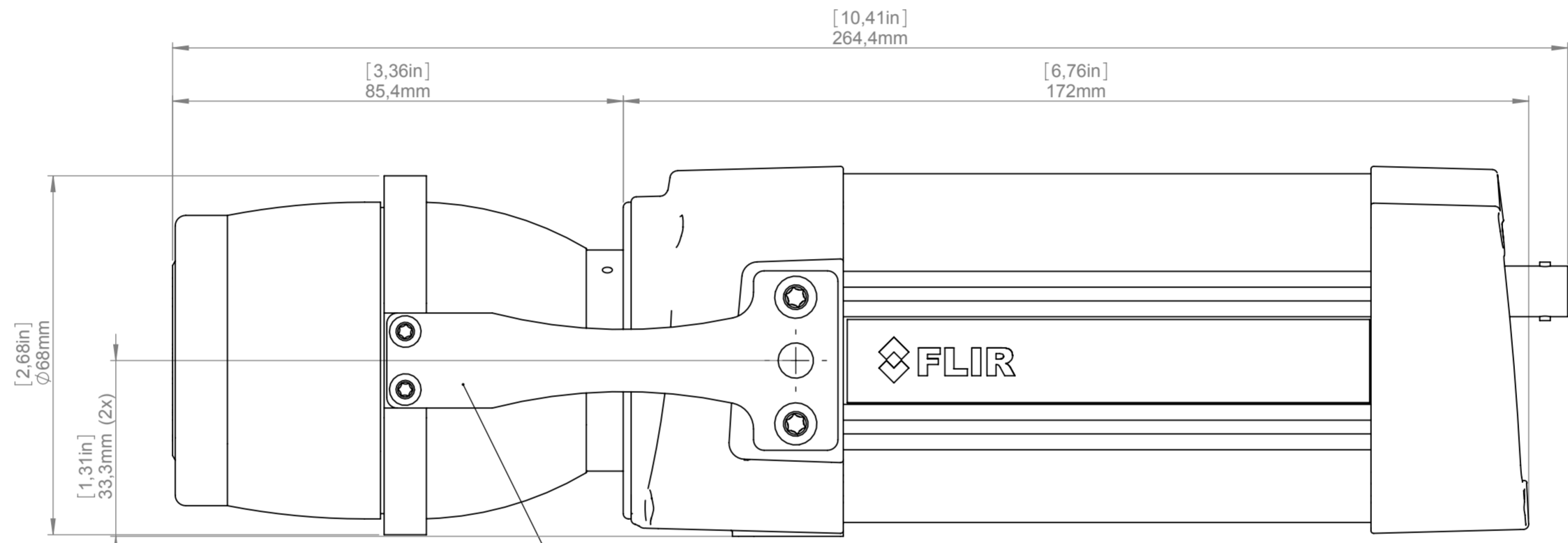
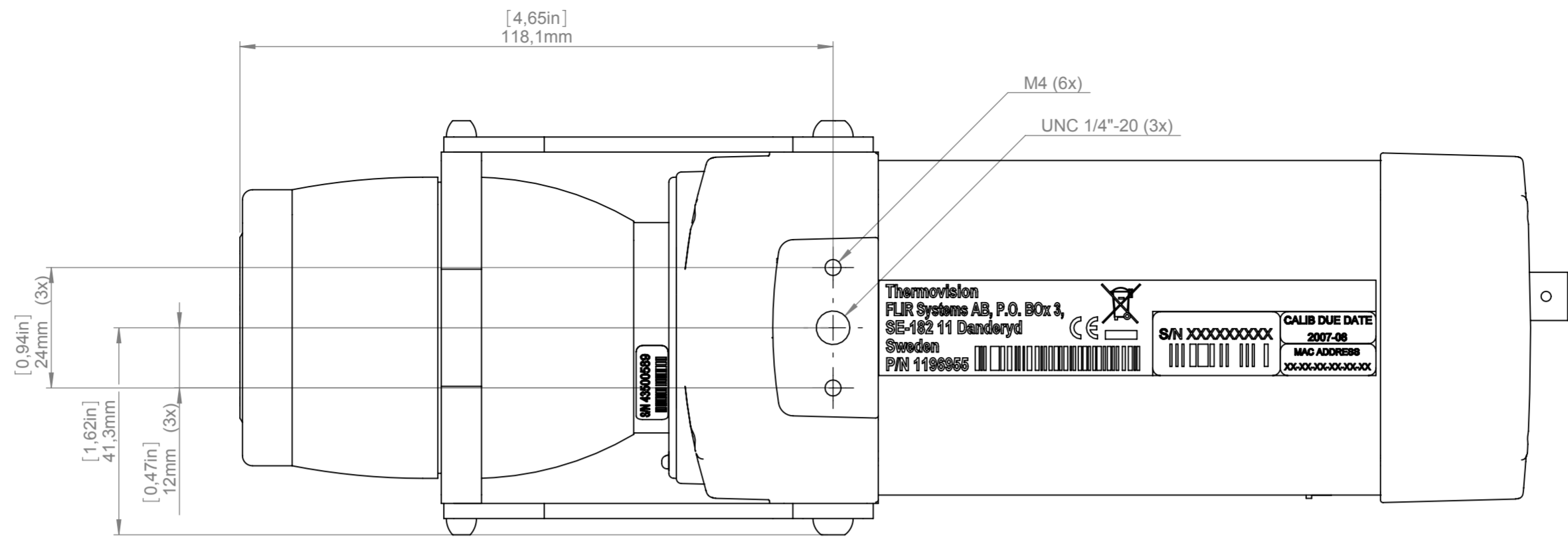
Camera with built-in IR lens f=18 mm (25°)



© 2012 FLIR Systems, Inc. All rights reserved worldwide. No part of this drawing may be reproduced, stored in a retrieval system, or transmitted in any form, or by any means, electronic, mechanical, photocopying, recording, or otherwise, without the prior written permission of FLIR Systems, Inc. Specifications are subject to change without notice. Dimensions are based on nominal values. Products may be subject to regional market considerations. License procedures may apply. Product may be subject to US Export Regulations. Please refer to exportquestions@flir.com with any questions. Division contrary to US law is prohibited.

Modified 2012-04-18	Check CAHA	Drawn by R&D Thermography	Size A3		Sheet 1(8)
Denomination Basic dimensions FLIR A3xx/SC3xx			Scale 1:1		Size A
Drawing No. T125002					

Camera with Lens IR f=4 mm (90°) incl support

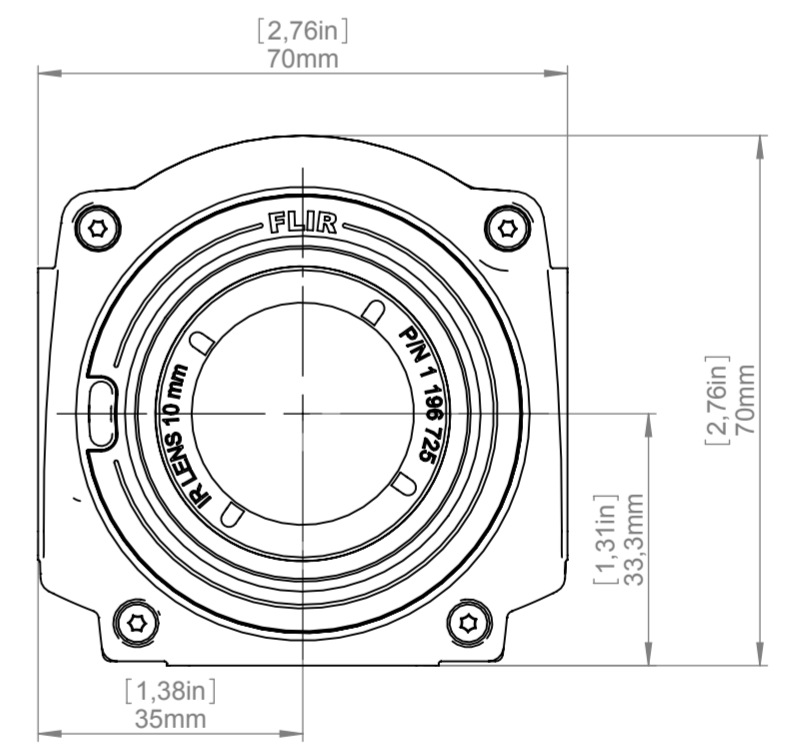
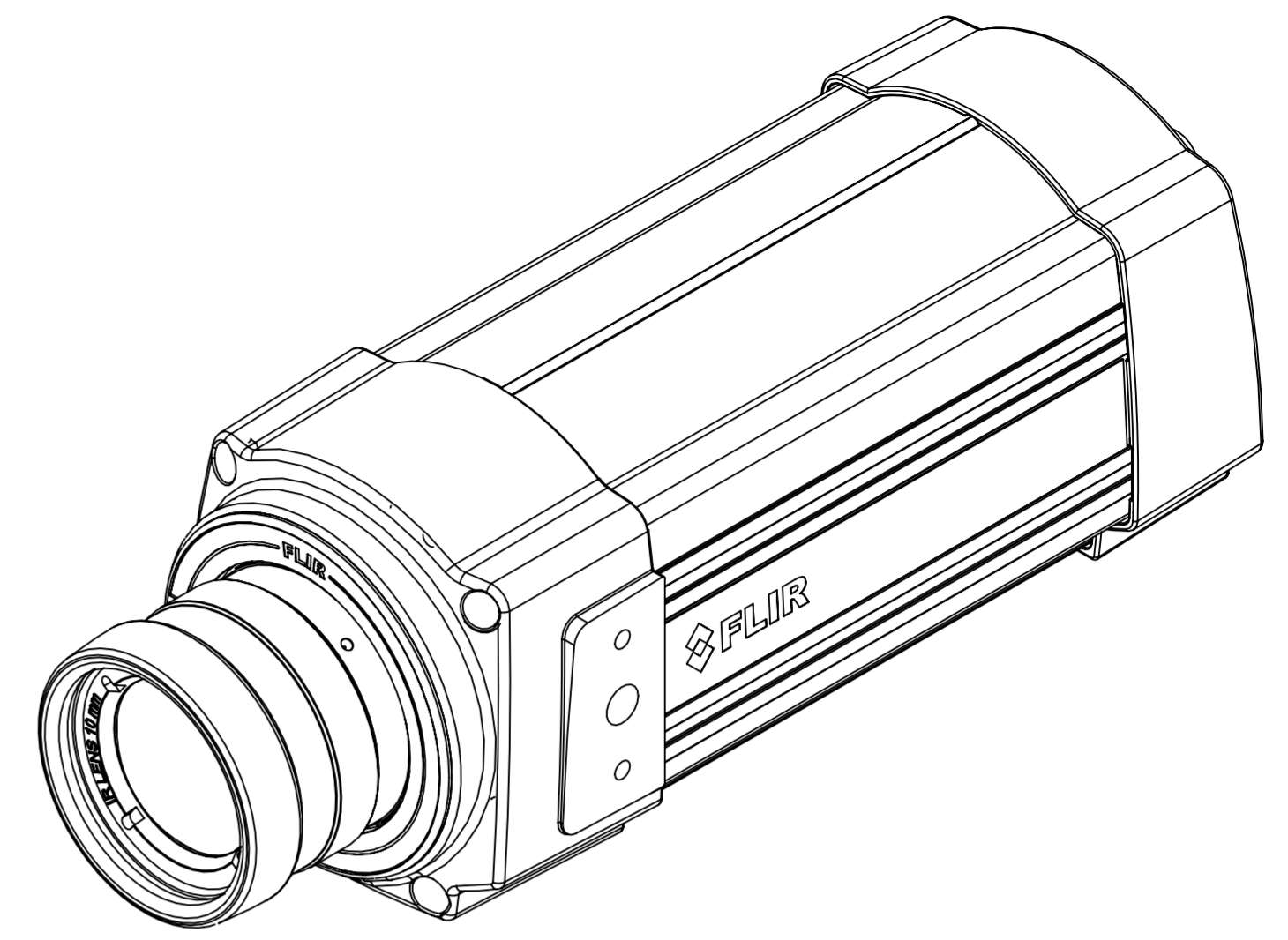
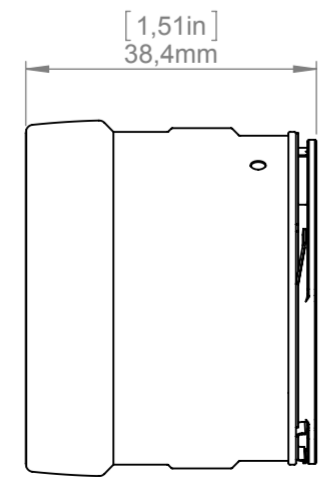
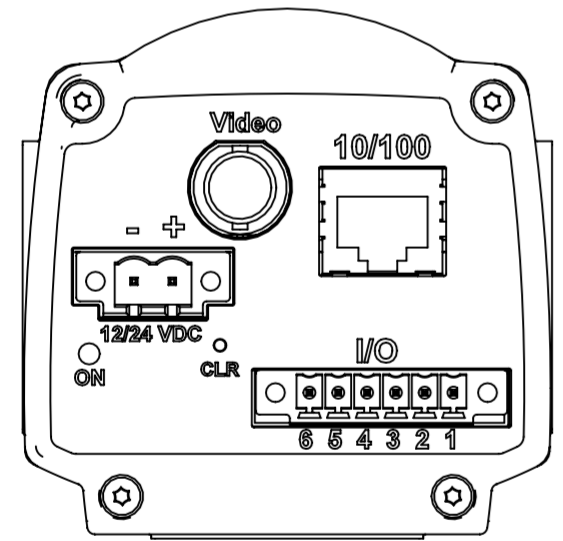
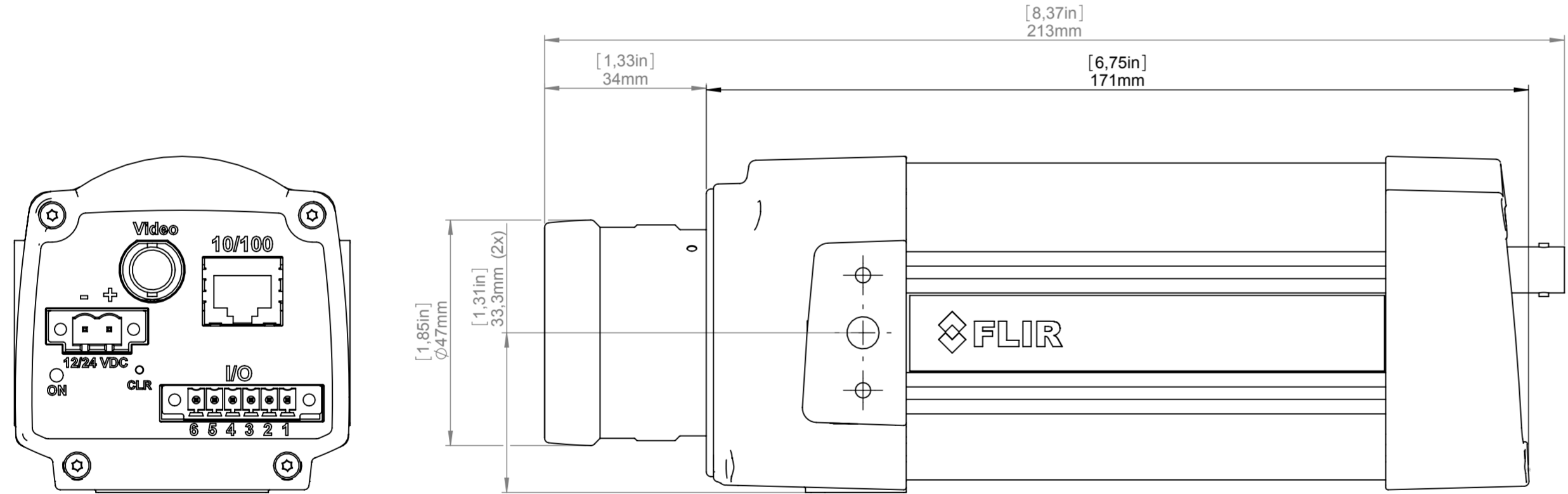
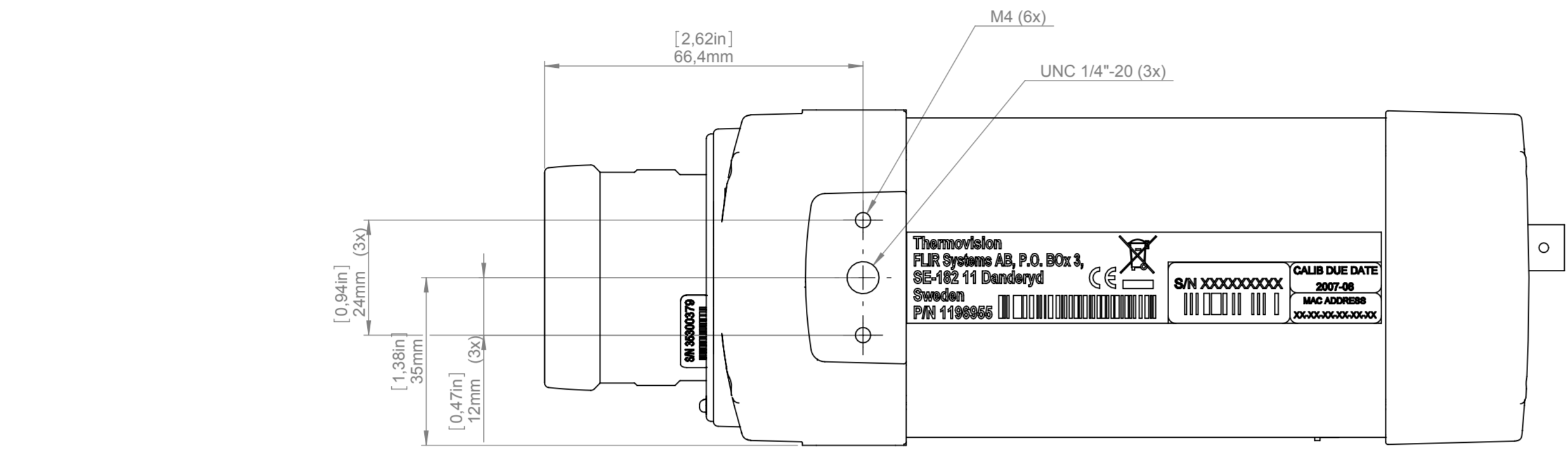


For additional dimensions see page 1

© 2012 FLIR Systems, Inc. All rights reserved worldwide. No part of this drawing may be reproduced, stored in a retrieval system, or transmitted in any form, or by any means, electronic, mechanical, photocopying, recording, or otherwise, without the prior written permission of FLIR Systems, Inc. Specifications subject to change without notice. Dimensional data is based on nominal values. Products may be subject to regional market considerations. License procedures may apply. Product may be subject to US Export Regulations. Please refer to exportquestions@flir.com with any questions. Diversion contrary to US law is prohibited.

Modified 2012-04-18	Check CAHA	Drawn by R&D Thermography	
Denomination			
Basic dimensions FLIR A3xx/SC3xx			Size A3 Scale 1:1 Sheet 2(8)
Drawing No. T125002			Size A

Camera with Lens IR f=10 mm (45°)

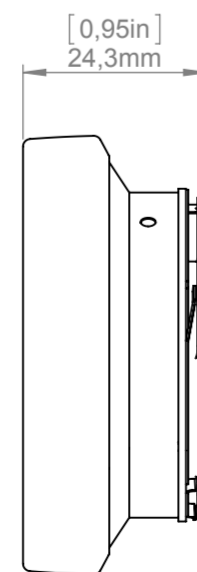
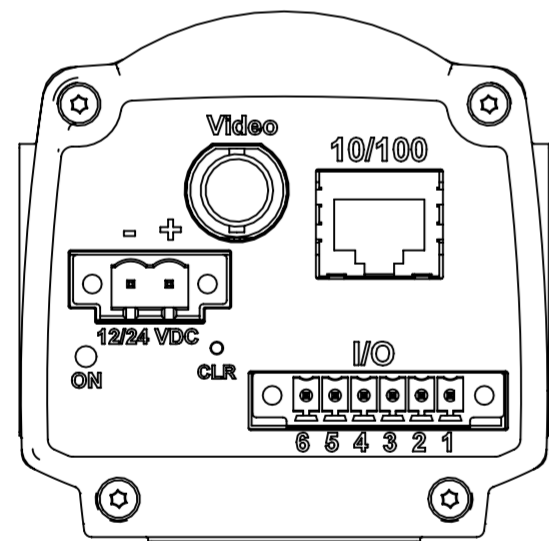
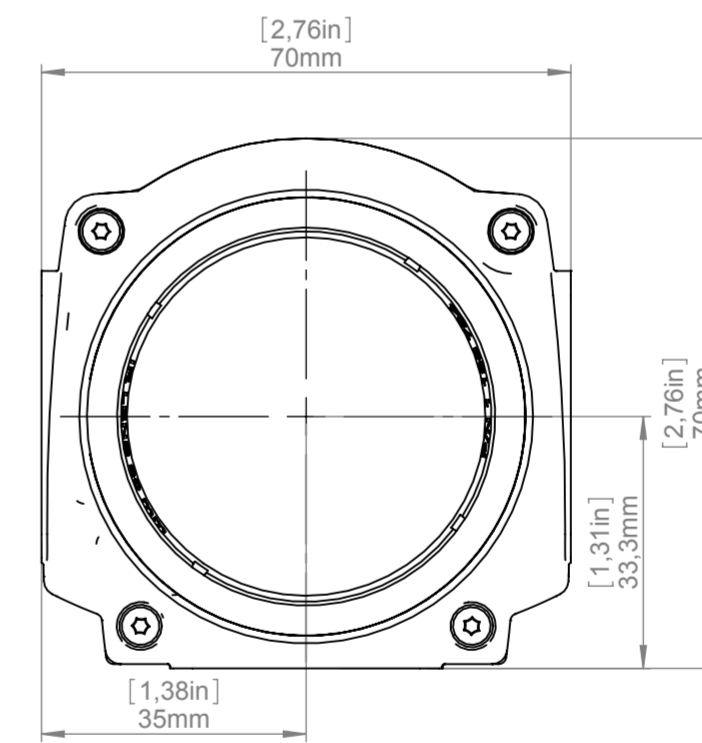
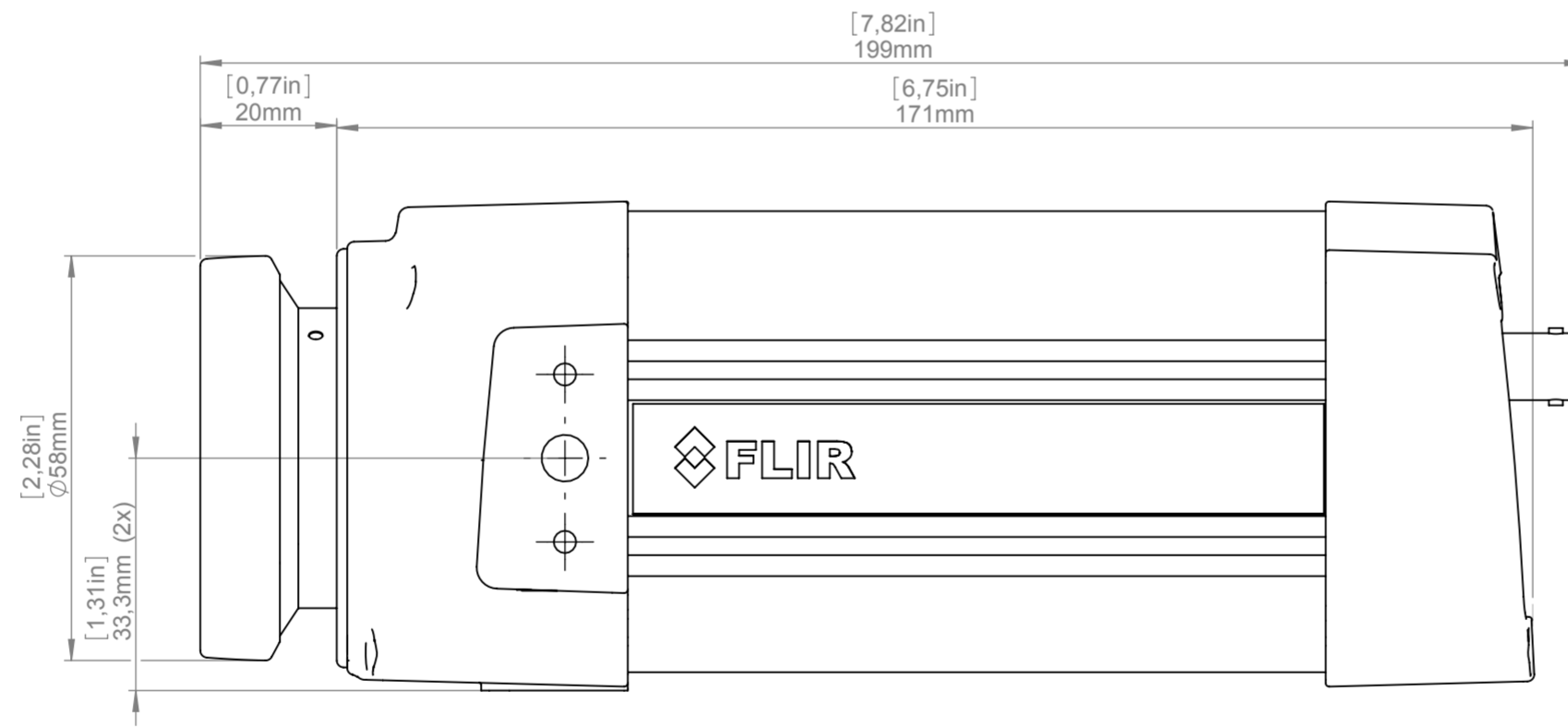
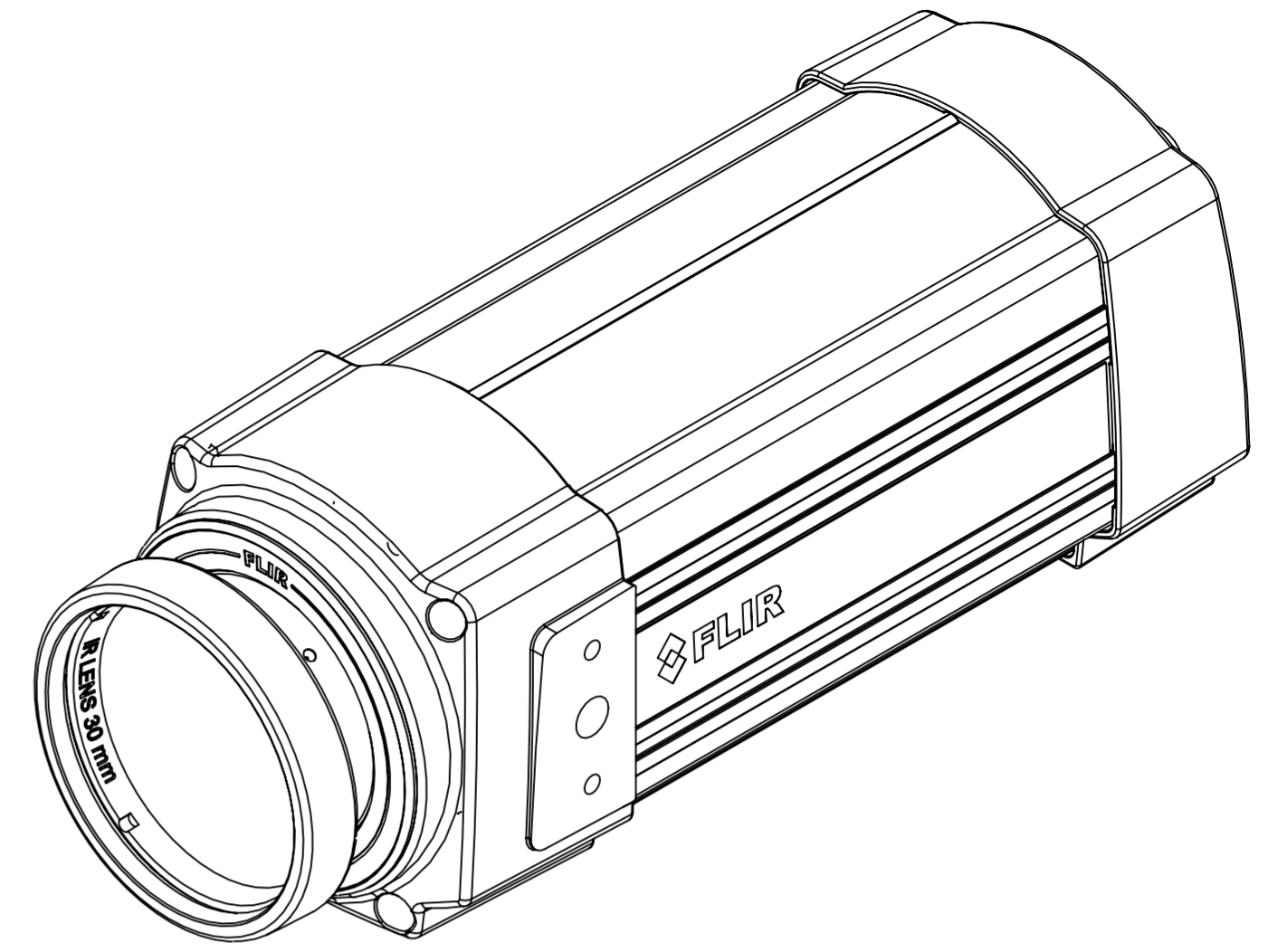
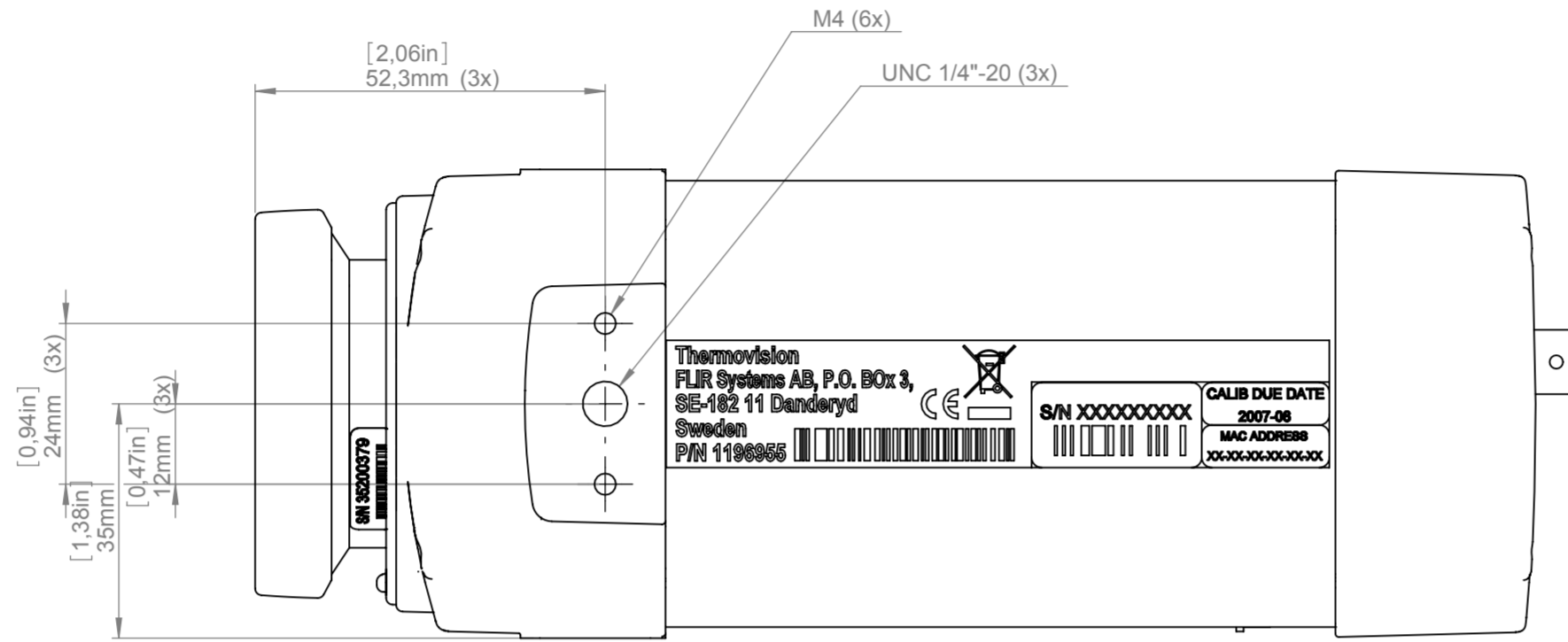


For additional dimensions see page 1

© 2012 FLIR Systems, Inc. All rights reserved worldwide. No part of this drawing may be reproduced, stored in a retrieval system, or transmitted in any form, or by any means, electronic, mechanical, photocopying, recording, or otherwise, without the prior written permission of FLIR Systems, Inc. Specifications are subject to change without notice. Dimensions are based on nominal values. Products may be subject to regional market considerations. License procedures may apply. Product may be subject to US Export Regulations. Please refer to exportquestions@flir.com with any questions. Division contrary to US law is prohibited.

Modified 2012-04-18	Check CAHA	Drawn by R&D Thermography	Size A3		Sheet 3(8)
Denomination Basic dimensions FLIR A3xx/SC3xx			Scale 1:1		Sheet 3(8)
			Drawing No. T125002	Size A	

Camera with Lens IR f=30 mm (15°)

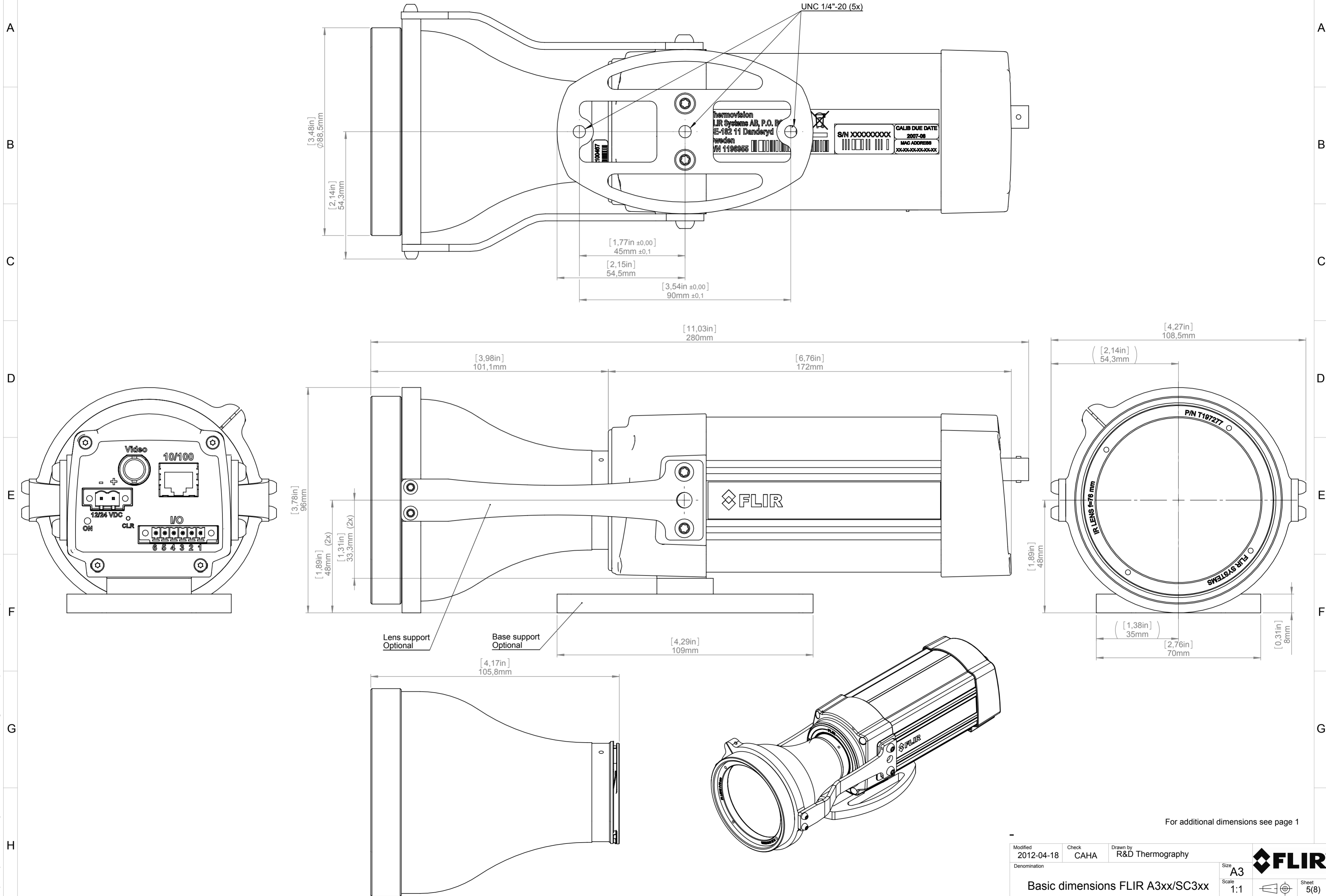


For additional dimensions see page 1

© 2012 FLIR Systems, Inc. All rights reserved worldwide. No part of this drawing may be reproduced, stored in a retrieval system, or transmitted in any form, or by any means, electronic, mechanical, photocopying, recording, or otherwise, without the prior written permission of FLIR Systems, Inc. Specifications are subject to change without notice. Dimensions are based on nominal values. Products may be subject to regional market considerations. License procedures may apply. Product may be subject to US Export Regulations. Please refer to exportquestions@flir.com with any questions. Division contrary to US law is prohibited.

Modified 2012-04-18	Check CAHA	Drawn by R&D Thermography	
Denomination			
Basic dimensions FLIR A3xx/SC3xx			Size A3 Scale 1:1 Sheet 4(8)
Drawing No. T125002			Size A

Camera with Lens IR f=76 mm (6°) incl support

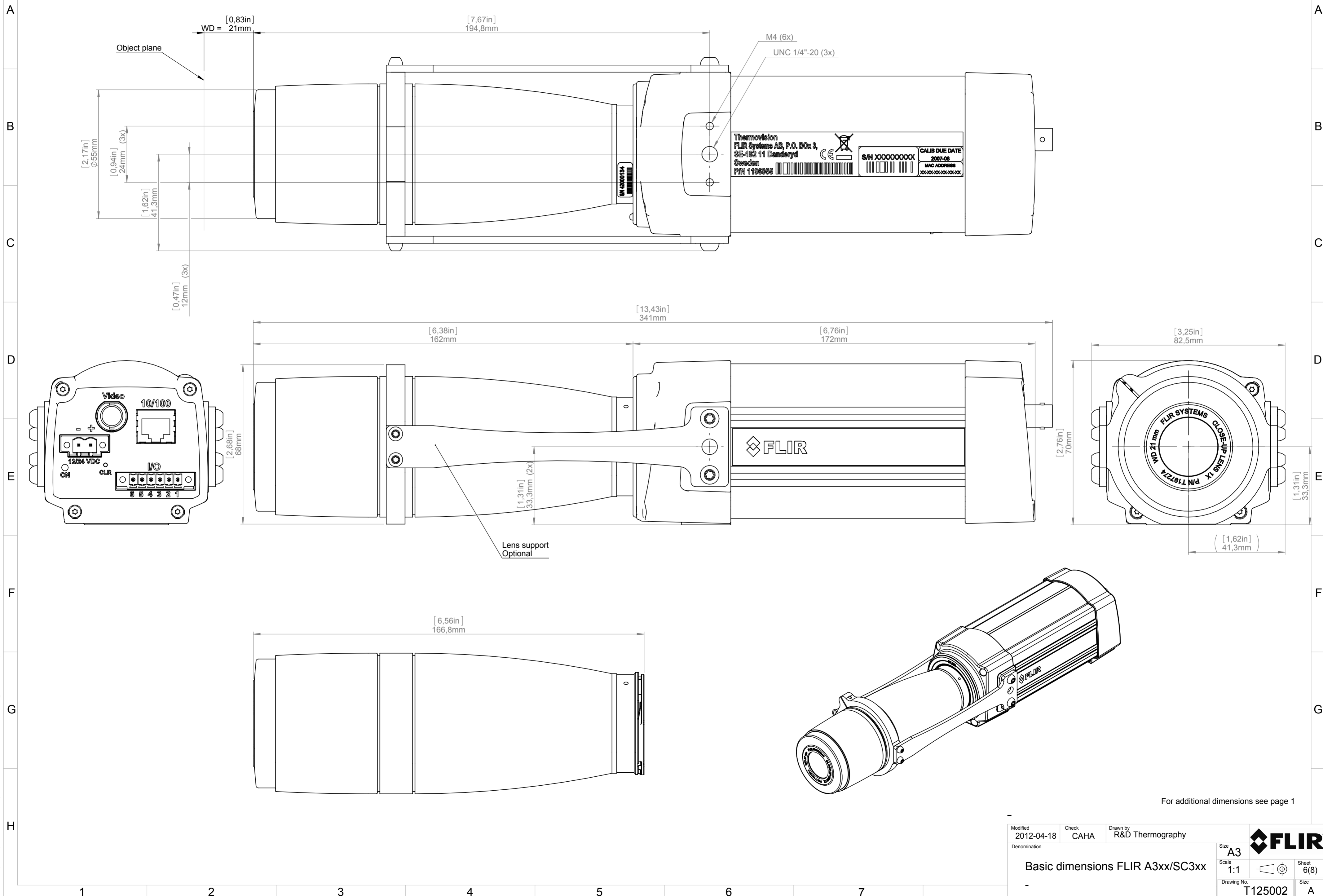


For additional dimensions see page 1

© 2012 FLIR Systems, Inc. All rights reserved worldwide. No part of this drawing may be reproduced, stored in a retrieval system, or transmitted in any form, or by any means, electronic, mechanical, photocopying, recording, or otherwise, without the prior written permission of FLIR Systems, Inc. Specifications subject to change without notice. Dimensional data is based on nominal values. Products may be subject to regional market considerations. License procedures may apply. Product may be subject to US Export Regulations. Please refer to exportquestions@flir.com with any questions. Division contrary to US law is prohibited.

Modified 2012-04-18	Check CAHA	Drawn by R&D Thermography	
Denomination			
Basic dimensions FLIR A3xx/SC3xx			Size A3 Scale 1:1 Sheet 5(8) Size A
Drawing No. T125002			

Camera with Close-up lens 1X (25 µm) incl support

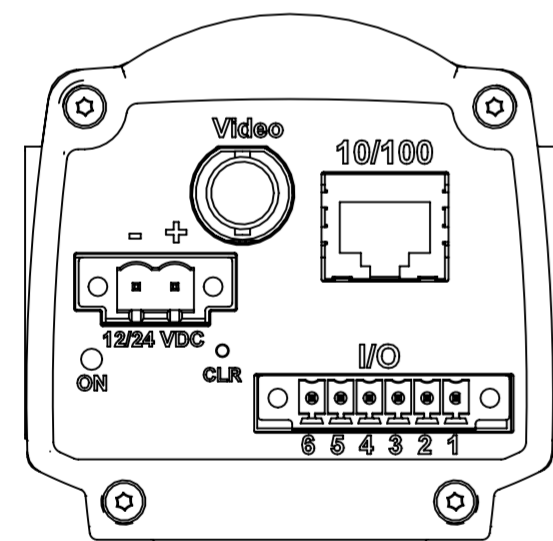
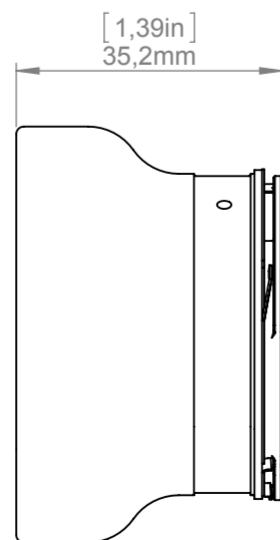
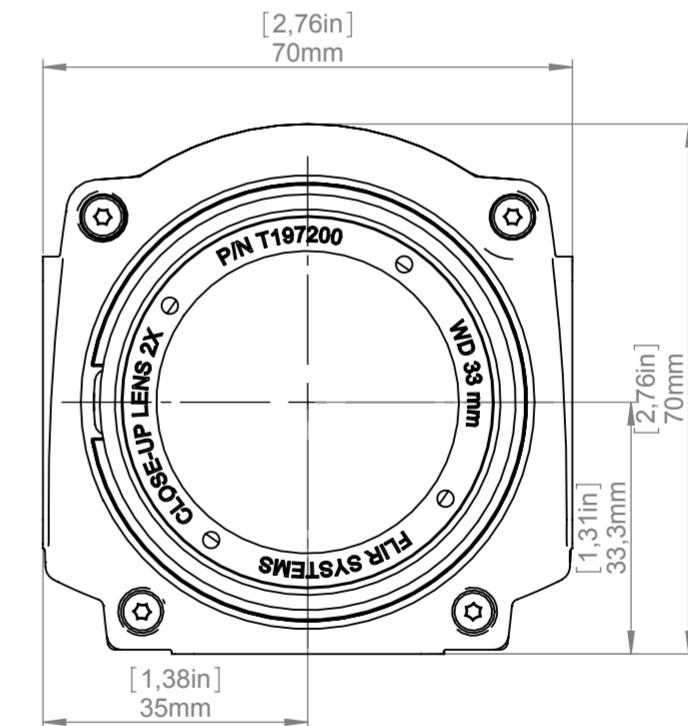
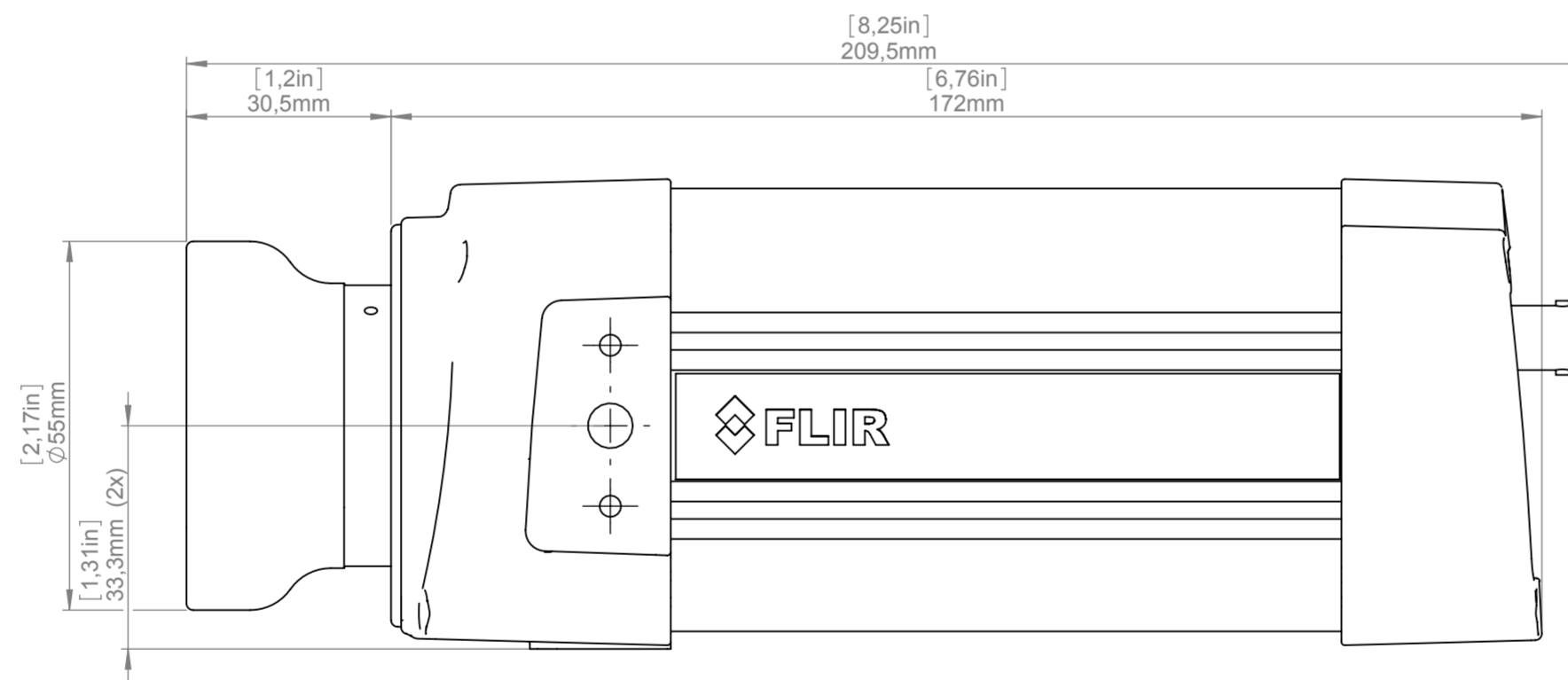
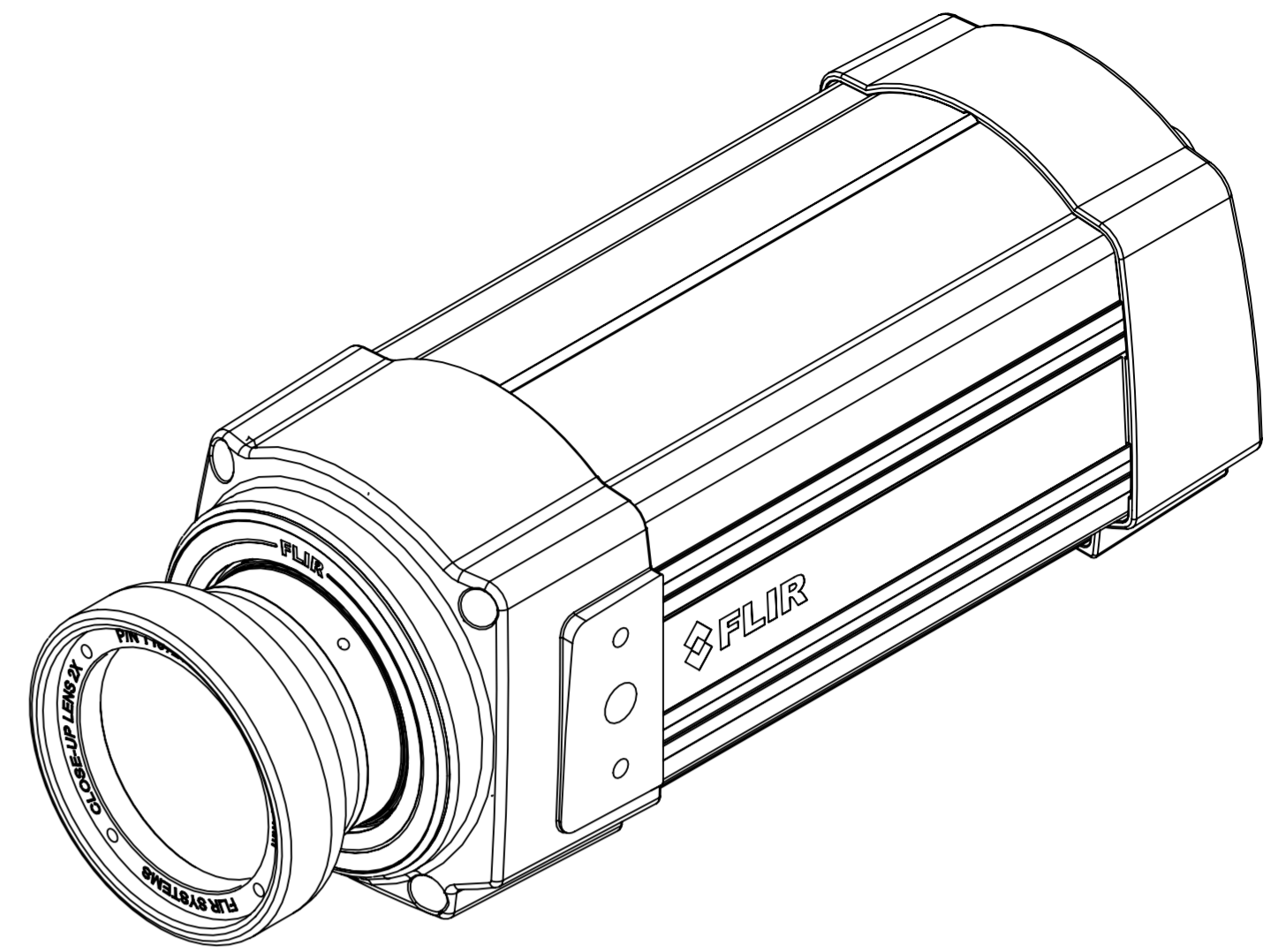
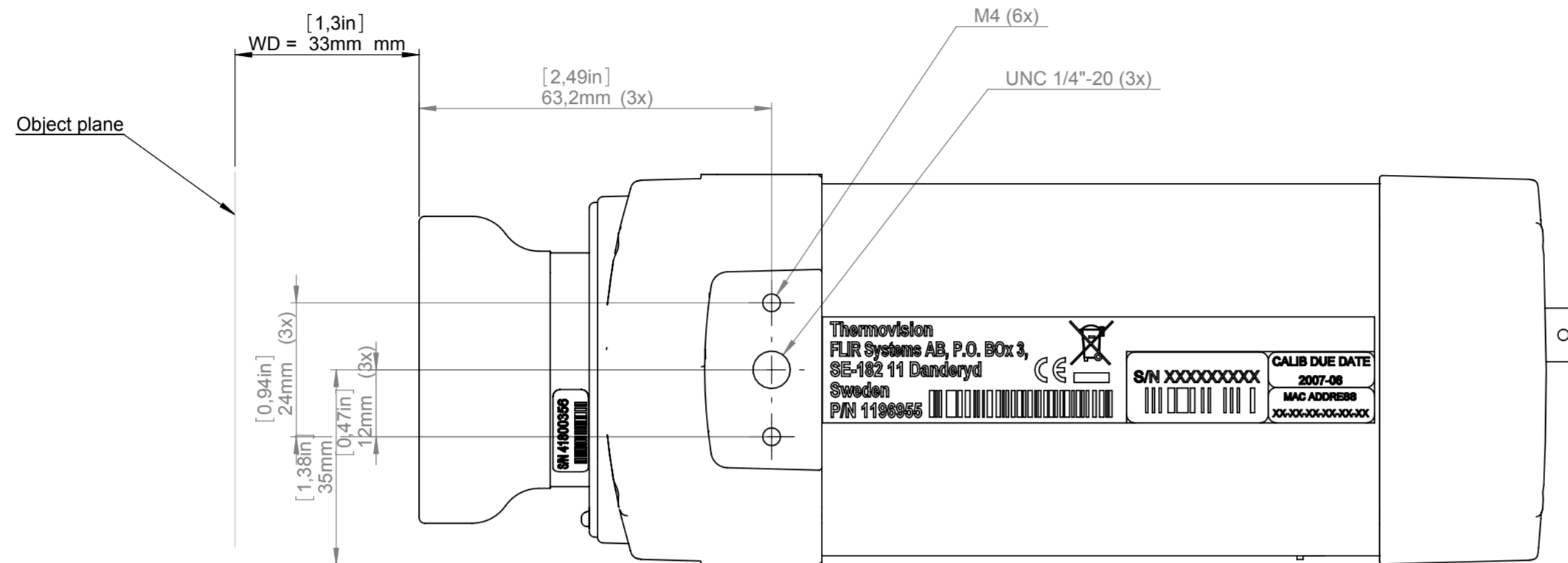


© 2012 FLIR Systems, Inc. All rights reserved worldwide. No part of this drawing may be reproduced, stored in a retrieval system, or transmitted in any form, or by any means, electronic, mechanical, photocopying, recording, or otherwise, without the prior written permission of FLIR Systems, Inc. Specifications subject to change without notice. Dimensional data is based on nominal values. Products may be subject to regional market considerations. License procedures may apply. Product may be subject to US Export Regulations. Please refer to exportquestions@flir.com with any questions. Diversion contrary to US law is prohibited.

For additional dimensions see page 1

Modified 2012-04-18	Check CAHA	Drawn by R&D Thermography	
Denomination			
Basic dimensions FLIR A3xx/SC3xx			Size A3 Scale 1:1 Drawing No. T125002 Sheet 6(8) Size A

Camera with Close-up lens 2X (50 μm)

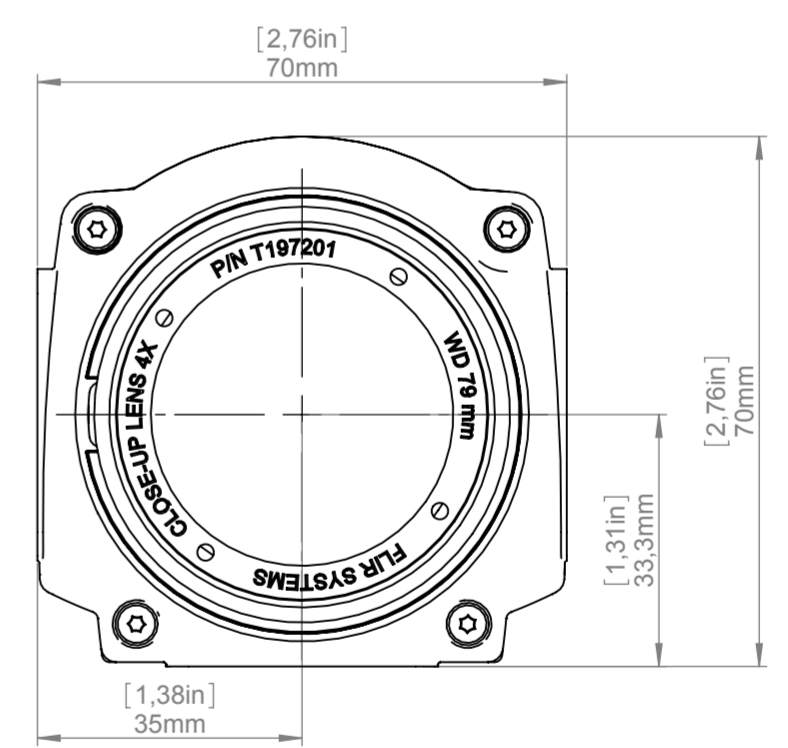
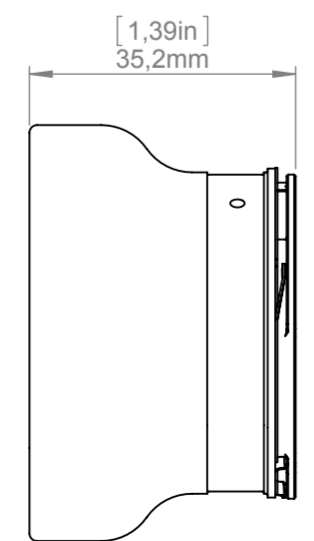
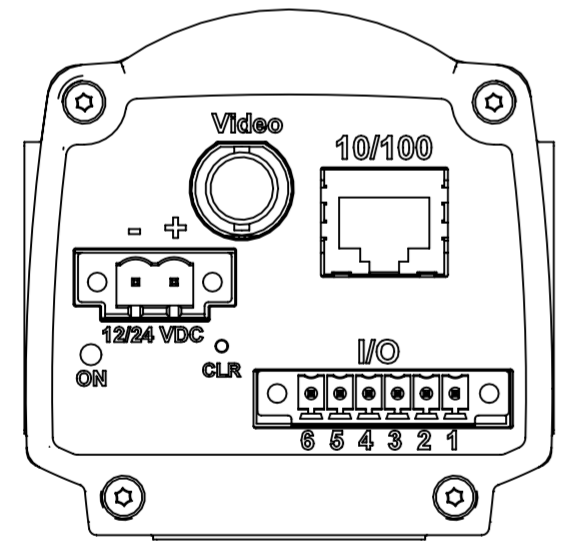
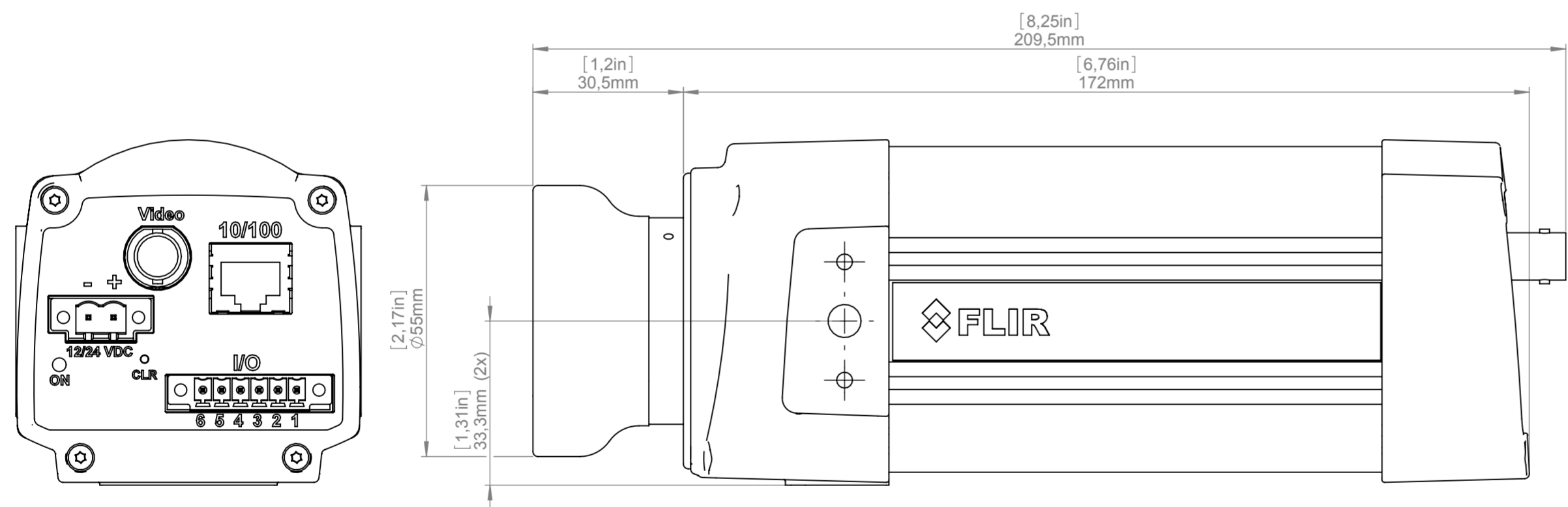
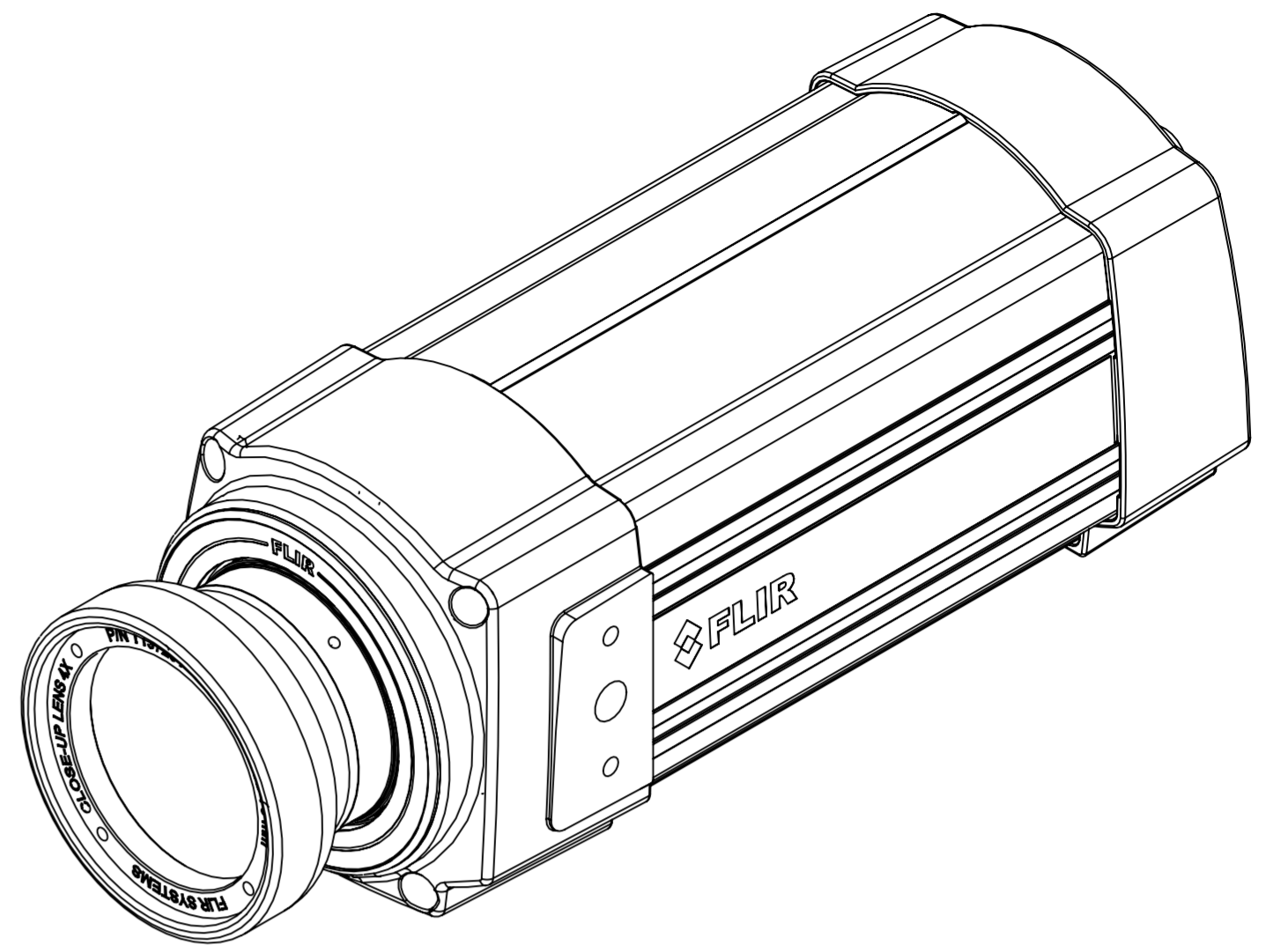
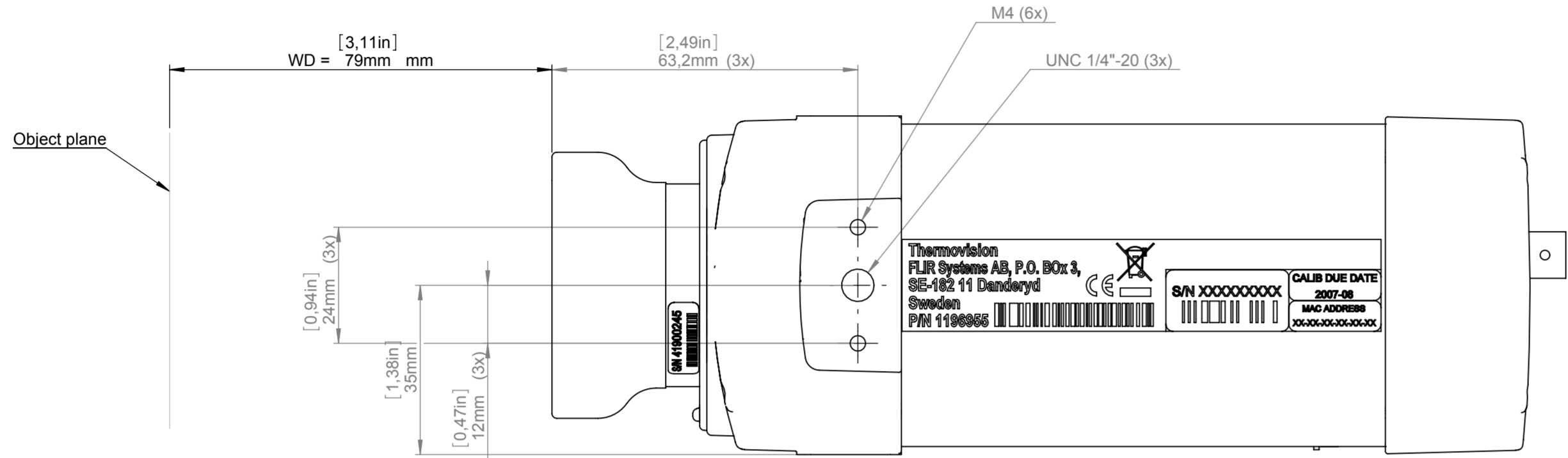


For additional dimensions see page 1

Modified 2012-04-18	Check CAHA	Drawn by R&D Thermography	Size A3		Sheet 7(8)
Denomination Basic dimensions FLIR A3xx/SC3xx			Scale 1:1		Size A
			Drawing No. T125002		

© 2012 FLIR Systems, Inc. All rights reserved worldwide. No part of this drawing may be reproduced, stored in a retrieval system, or transmitted in any form, or by any means, electronic, mechanical, photocopying, recording, or otherwise, without the prior written permission of FLIR Systems, Inc. Specifications subject to change without notice. Dimensional data is based on actual units. Products may be subject to regional market considerations. License procedures may apply. Product may be subject to US Export Regulations. Please refer to exportquestions@flir.com with any questions. Division contrary to US law is prohibited.

Camera with Close-up lens 4X (100 μm)



For additional dimensions see page 1

© 2012, FLIR Systems, Inc. All rights reserved worldwide. No part of this drawing may be reproduced, stored in a retrieval system, or transmitted in any form, or by any means, electronic, mechanical, photocopying, recording, or otherwise, without the prior written permission of FLIR Systems, Inc. Specifications are subject to change without notice. Dimensions are based on nominal values. Products may be subject to regional market considerations. License procedures may apply. Product may be subject to US Export Regulations. Please refer to exportquestions@flir.com with any questions. Diversion contrary to US law is prohibited.

Modified 2012-04-18	Check CAHA	Drawn by R&D Thermography	
Denomination Basic dimensions FLIR A3xx/SC3xx			
Size A3	Scale 1:1	Sheet 8(8)	
Drawing No. T125002		Size A	